

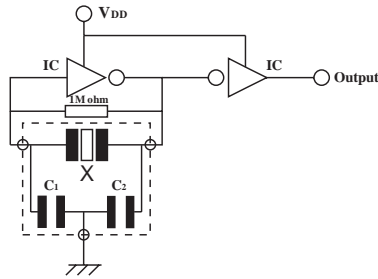


Ceramic Resonator - ZTTA-series

Specifications

| Parameters | Standard | Options |
|--------------------------------------|------------------------|---------|
| Frequency range | 1,800 MHz - 50,000 MHz | |
| Operating temperature | -20°C ~ +80°C | Other |
| Storage temperature | -40°C ~ +85°C | |
| Frequency tolerance at 25°C | ± 0,5 % | Other |
| Frequency stability over temp. range | ± 0,3 % | Other |
| Aging over 10 years | ± 0,3 % | |
| Insulation resistance | 500 Mohm min at 10 VDC | |
| Marking | Frequency | |

Testcircuit

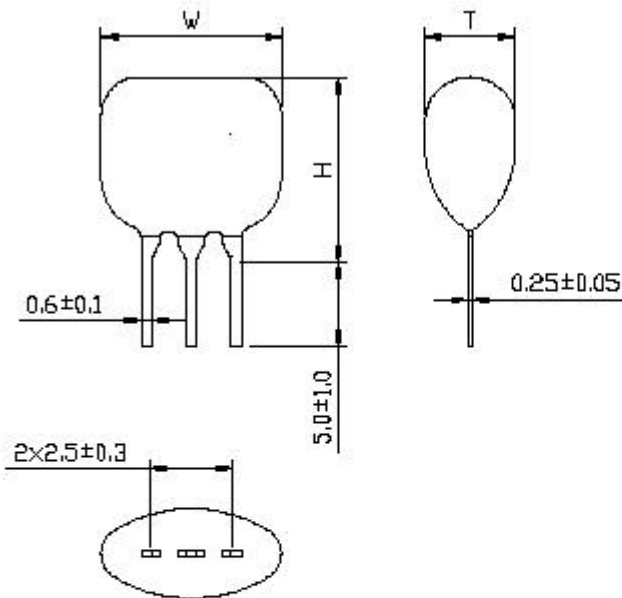


- 1 : input
- 2 : Ground
- 3 : Output

Ceramic Resonator - ZTTA-series

Drawing

| | |
|---------|--|
| Package | 1,8 -13,0 MHz : ZTTAC 3pin with built-in capacitor |
| | 13 - 50 MHz : ZTTA 3pin with built-in capacitor |



| Code | W | H | T |
|------|------|------|-----|
| ZTAC | 10.0 | 7.5 | 5.0 |
| ZTA | 10.0 | 10.0 | 5.0 |